

**PEGASYS SYSTEMS PVT.LTD.**



**SHAFT STRAIGHTENERS  
GEAR ROLL TESTERS**



## COMPANY PROFILE

PEGASYS SYSTEMS PVT. LTD. is a leading Automation Solutions provider in India. A rich and varied experience spread over a wide spectrum of the Indian engineering industry and a clientele comprising of the who's who of the Indian industry makes Pegasys a much sought after systems integrator.

### PEGASYS capabilities include :

- Automatic Shaft straightening Machines.
- Gear Roll Testers
- Assembly automation.
- Test and Measuring Machines (NI Lab VIEW based solutions).
- PLC or PC (standalone / networked) based automation.

## PEGASYS SHAFT STRAIGHTENERS

Take the headaches out of your Shaft Straightening Process !!!!

PEGASYS SYSTEMS offers Shaft and Pinion Straightening machines suited for mass production lines for Automobile as well as Non-Automobiles components.



PEGASYS STRAIGHTENERS have been developed fully in INDIA

PEGASYS STRAIGHTENERS use intelligent software features which take the skill out of the straightening process and bring it into the machine operation. The operator's task is now limited to loading & unloading so that dependence on Operator Skill is eliminated.

PEGASYS STRAIGHTENERS now have the capability to measure and correct on various references / profiles :

- Plain Diameter
- Pinion / Gears (using a Master Gear)
- Spline OD
- Spline Root
- Notched Shafts
- Steering Racks
- Shafts with Milled Flats



### Team

The PEGASYS Team is a small and compact team of highly trained professionals. We cover the fields of Mechanical, Electrical, Electronics and Software Engineering, offering a turnkey solution across multiple platforms.

### PEGASYS Shaft Straighteners

PEGASYS is the leader in the field of Automatic Shaft Straightening Machines in India.

We have among our client list the largest names in Automobile Steering Systems.

We use completely indigenous technology to compete with some of the biggest names in the International market and are currently supplying machines all over India with a plan for expansion for export of such machines.

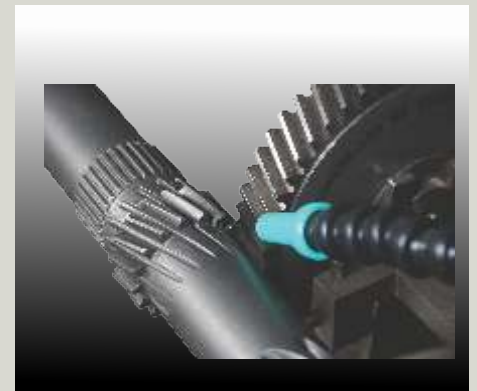
### Market Response

PEGASYS has been identified by prominent companies in the field of Automobile and Engineering Products as developers of quality machinery. This is reflected in the list of customers mentioned later in this brochure.

### Single Point Straighteners



## Multi Point Straighteners



### Important Features of our machines are :

- SINGLE and MULTI Point machines offered
- ELECTRIC SERVO DRIVEN RAM - excellent control on speed, positional accuracy and tonnage delivery
- MAX 25 Ton pressing Capacity
- DIGITAL ENCODER for measurement of Run Outs
- CENTRE or OD based referencing systems
- LOW CYCLE TIME
- EASY CHANGEOVER
- LOAD CELL integrated for actual load feedback
- Capable of Measurement & Straightening on various profiles
- Internet based connectivity for quick customer support

### Prominent users of PEGASYS Straighteners :

- Bajaj Auto Limited
- GNA Duraparts Limited
- Maini Precision Products Pvt Ltd
- Onassis Auto Limited
- Rane TRW Steering Systems
- Sona Koyo Steering Systems
- Sanjeev Precision Auto Products Pvt Ltd
- TVS Motors Limited
- Varroc Engineering Limited

### OPTION ADD ONS :

- Operator Safety Guard
- Automatic Load / Unload
- In-process Crack Detection System
- Fully Automated Machines (Integrated with Robot)

## GEAR ROLL TESTERS

PEGASYS SYSTEMS manufactures Double Flank Gear Roll Testers with the following features :

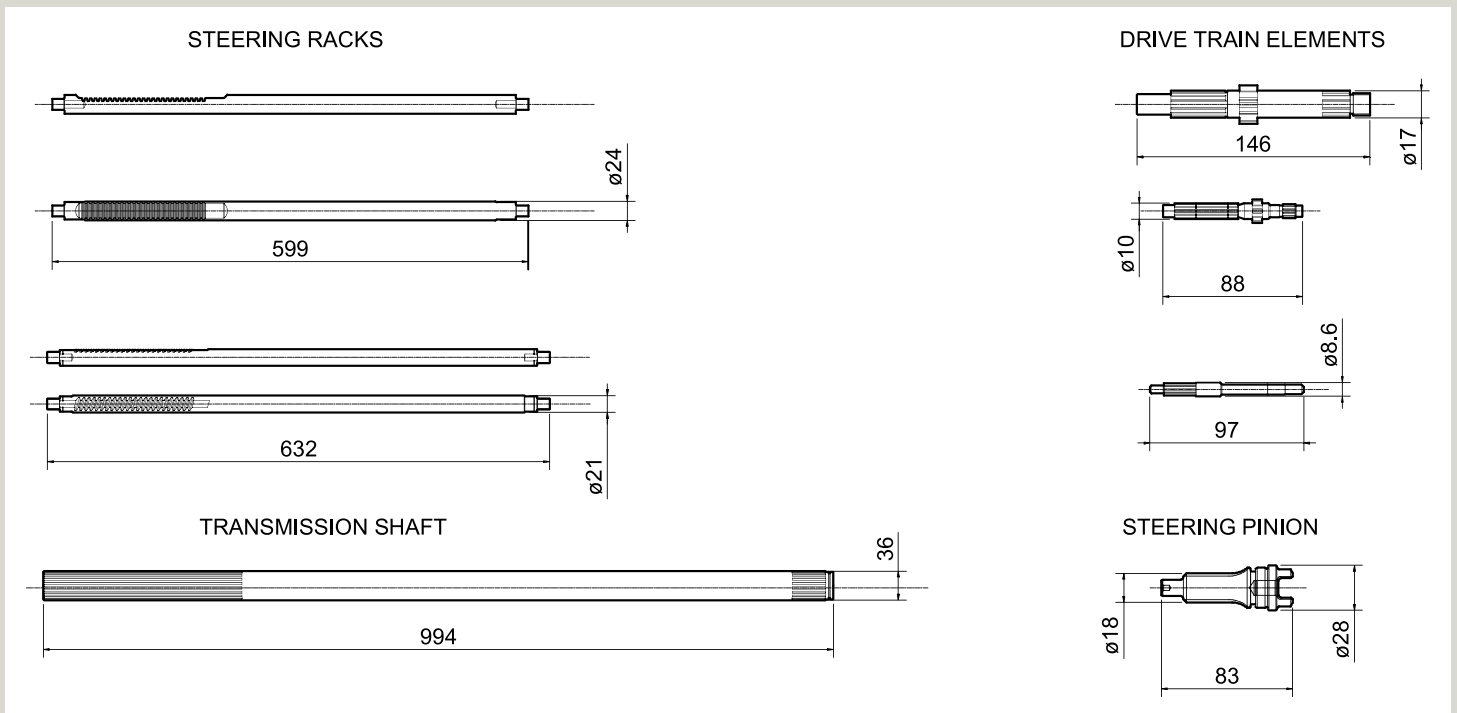
- Models for measuring gears up to dia 250 mm
- Measurement of
  - Centre Distance
  - Pitch Circle Run Out
  - Double Flank Cumulative Error / Cumulative Radial Error
  - Tooth to Tooth variation

Other features / options :

- Tooth Dent Detection
- Worm Inspection
- Compatibility for integration with Robot
- PC based Displays for excellent Graphical Representation
- Low Cost PLC based units also available



## EXAMPLES OF SHAFTS PROCESSED



**PEGASYS SYSTEMS PVT.LTD.**

J - 114, Ansa Industrial Estate, Saki Vihar Road, Mumbai- 400 072, India.

Tel: 91-22-2857 1304/1684 Fax: 91-22-2857 5246

E-mail: nitishkati@pegasyssystems.com